

Conductive Plastic Linear Sensor

LP-FP Series - LP-30FQJ

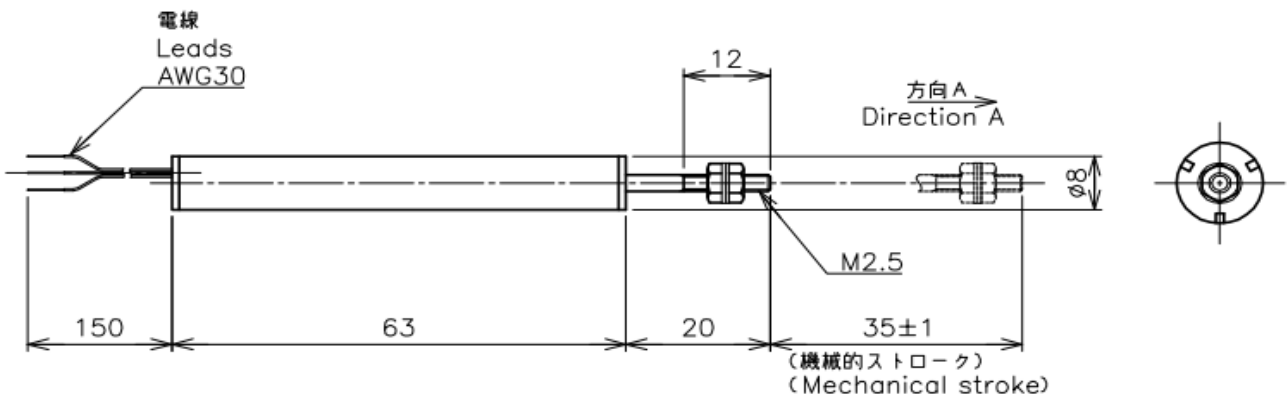


- Conductive Plastic Linear Sensor
- Effective Electrical Travel : 30mm±0.5mm
- Independent Linearity : ±1%

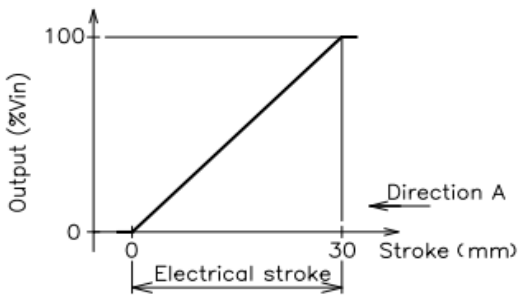
【Material】

- Housing : Copper alloy, Nickel plate
- Shaft : Stainless Steel

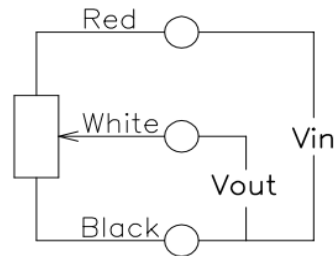
Dimension [mm]



Output Characteristics



Schematic



- Red,White,Black indicate lead colors.

【Model No.】	LP—30FQJ
--------------------	----------

【Electrical Data】

Effective Electrical Travel	30±0.5	mm
Total Resistance	1	kΩ
Total Resistance Tolerance	±20	%
Independent Linearity	±1	%
Power Rating	0.9/70°C	W
Output Smoothness	MAX. 0.1	%
Insulation Resistance	MIN. 100 / DC 500V	MΩ
Dielectric Strength	AC500 / 1 Minute	V
TC of Resistance	±400	ppm/K

【Environmental Data】

Friction	MAX. 0.3	N
Mass	15 Approx.	g

■ Accessories

M3 Nut, Plain washer 2 pieces each

■ Handling Instruction

To avoid burnout of resistive element, do not supply 1mA Min. current to terminal 2.